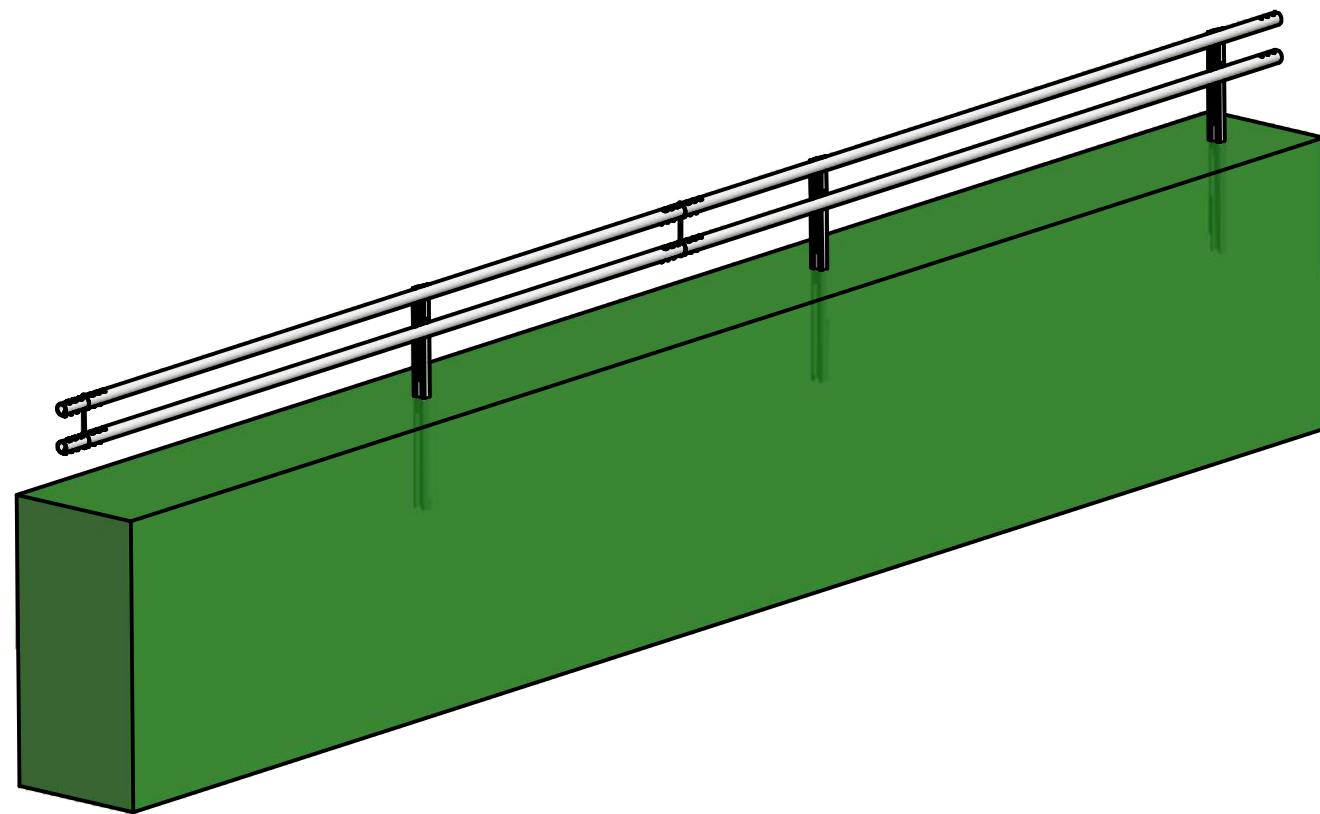
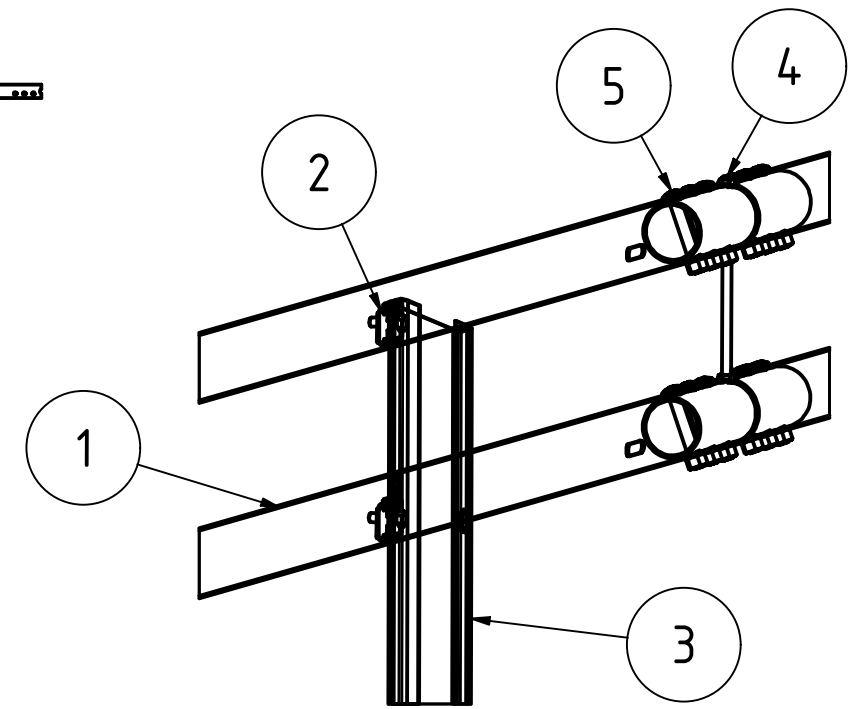
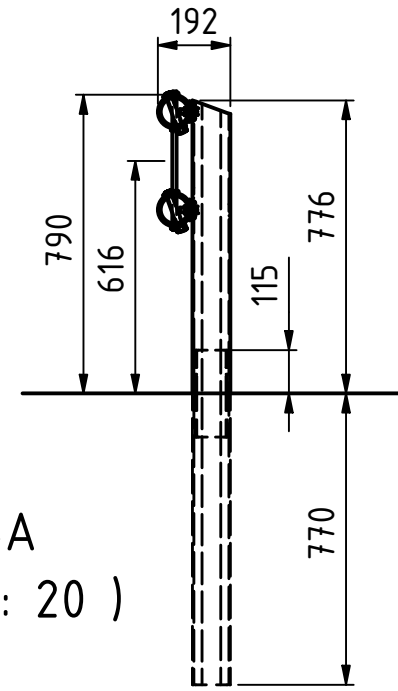
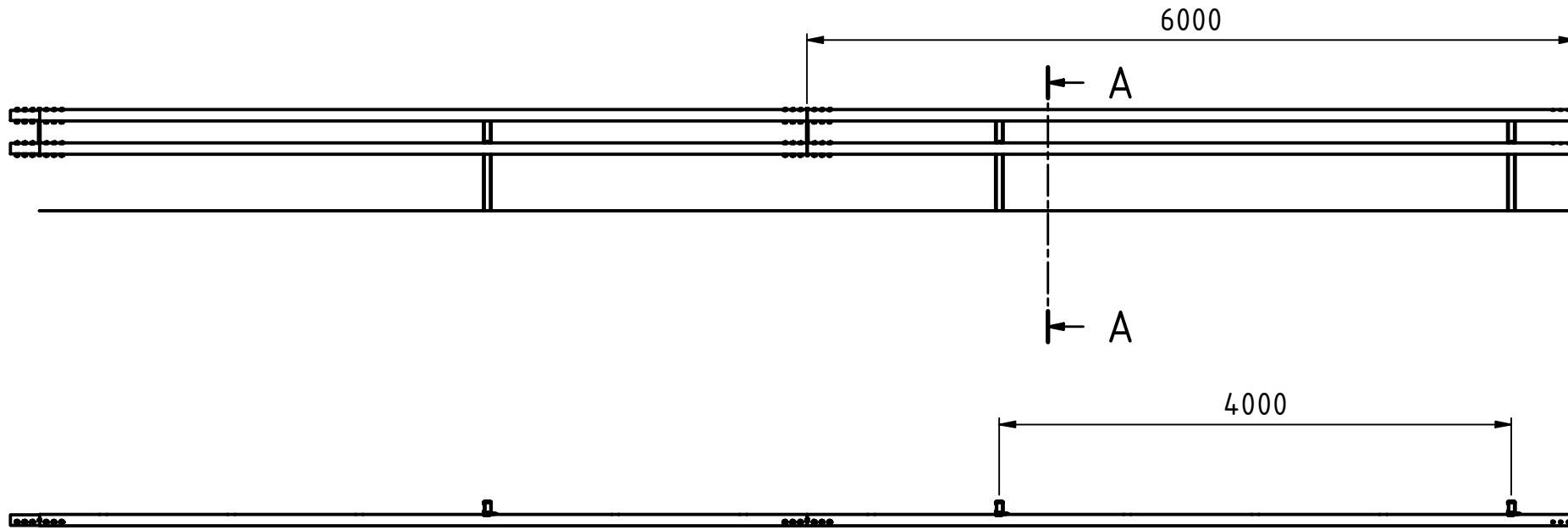


5135307



5	12 / 6m	JOINT BOLT with NUT	0,2 kg	112216105001
4	1 / 6m	JOINT TUBE KIT H1	7 kg	67559
3	1.5 / 6m	POST KIT w. slot holes	12,7 kg	60508
2	3 / 6m	LOCK KIT M12 4.6 BOLT	0,2 kg	60597 alt. 60590
1	2 / 6m	BARRIER	36,7 kg	60513

Item No.	Qty.	Description	MASS	Note
----------	------	-------------	------	------

Date	2019-04-27	Constr./Drawn by	DLT	Scale	A3 - 1 : 50	Sheet #	1 / 1	 a SAFEROAD® company
Calculation		Approved by	DLT	Weight	16,7 kg/m	5135307		
SafeLine-R Roadside Barrier SafeLine-R H1 CC4								Revision
Reference:				Replacing	Replaced by	This drawing is the property of Saferoad and must not be used, copied, or made available to others without our consent.		

Rev.	Revision Description	Sign.	Date

5135307.idw

© VIK ØRSTA A SAFEROAD COMPANY