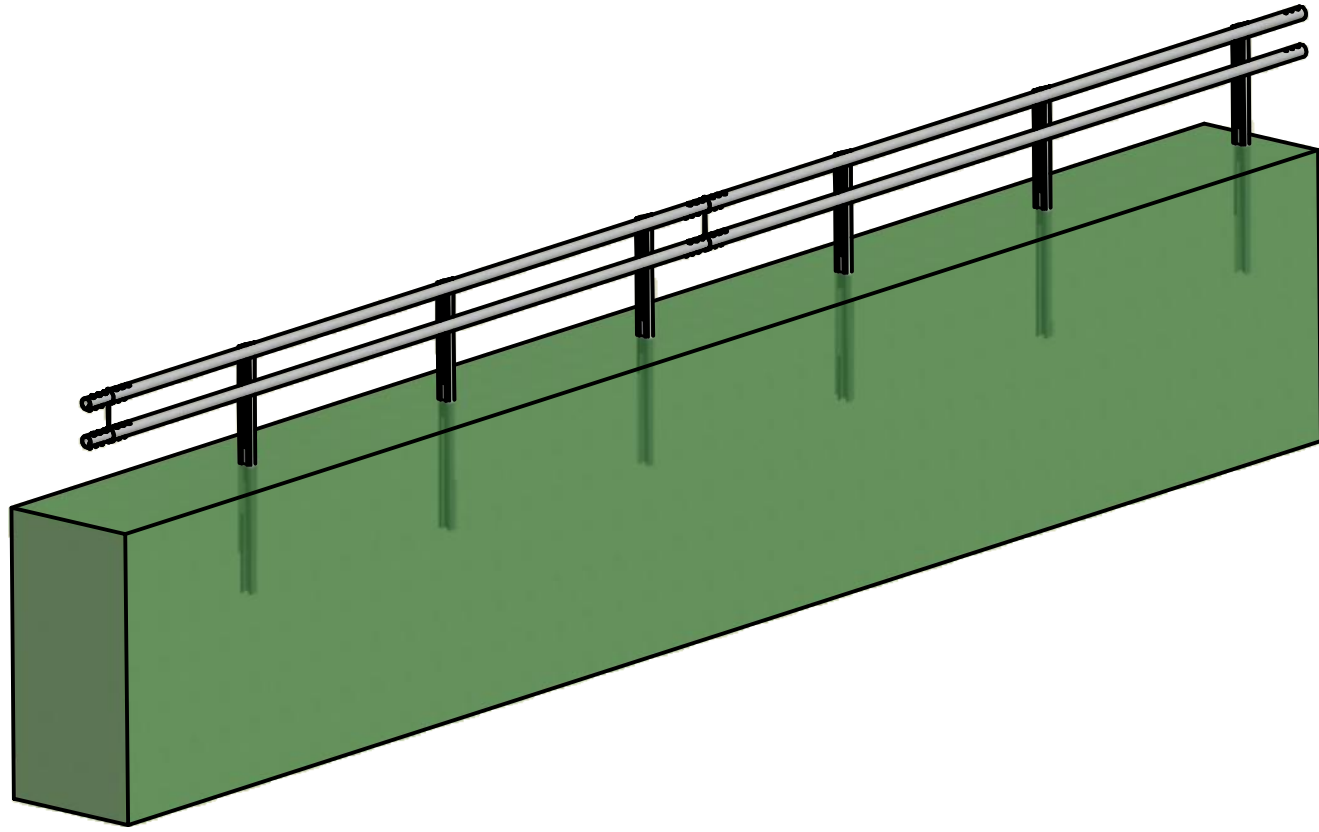
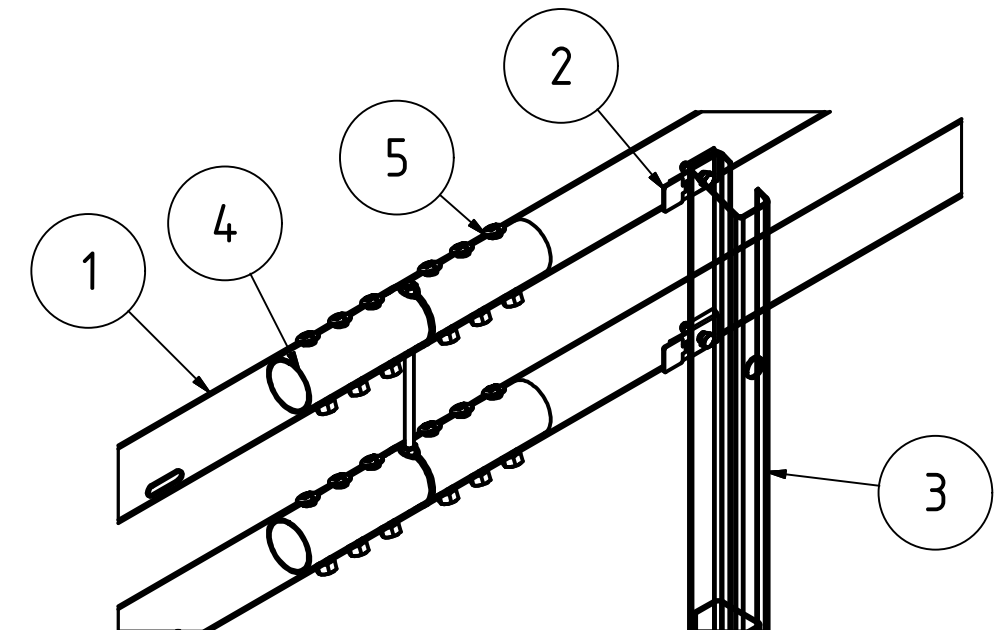
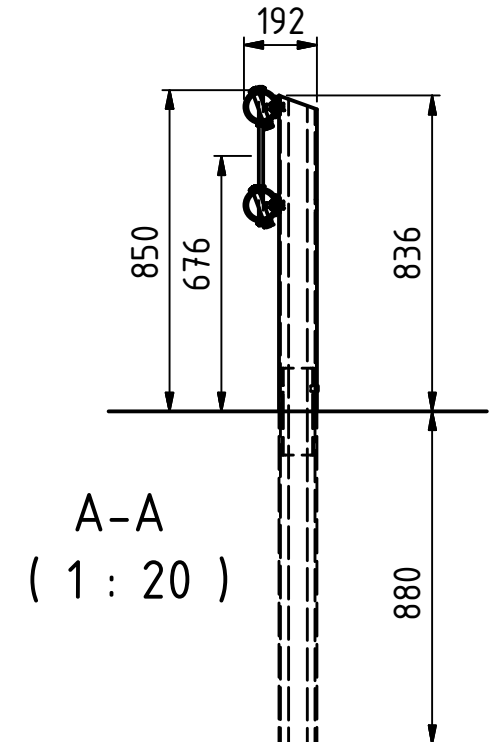
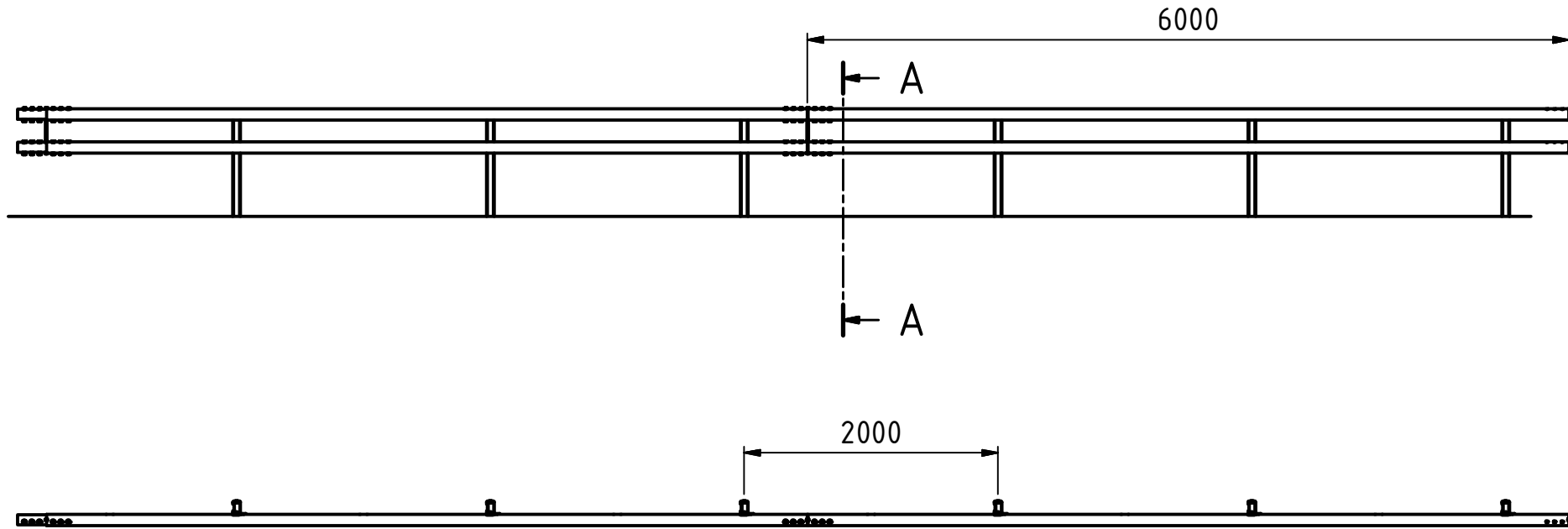



5135305



5	12 / 6m	JOINT BOLT with NUT	0,2 kg	112216105001
4	1 / 6m	JOINT TUBE KIT H2	6,9 kg	67529
3	3 / 6m	POST KIT	14 kg	60501
2	6 / 6m	LOCK KIT M12 4.6 BOLT	0,2 kg	60590
1	2 / 6m	RAILING	45,1 kg	60520

Item No.	Qty.	Description	MASS	Note
Date		Constr./Drawn by	Scale	Sheet # 1 / 1
2019-04-27		MHT	A3 - 1 : 50	
Calculation		Approved by	Weight 23,9 kg/m	 a SAFEROAD® company
		JHS		
Safeline-R Roadside Barrier				
Safeline-R H2 CC2				
Reference:			Replacing	Replaced by
			This drawing is the property of Saferoad and must not be used, copied, or made available to others without our consent.	

Rev.	Revision Description	Sign.	Date

5135305.idw

© VIK ØRSTA A SAFEROAD COMPANY

5135305